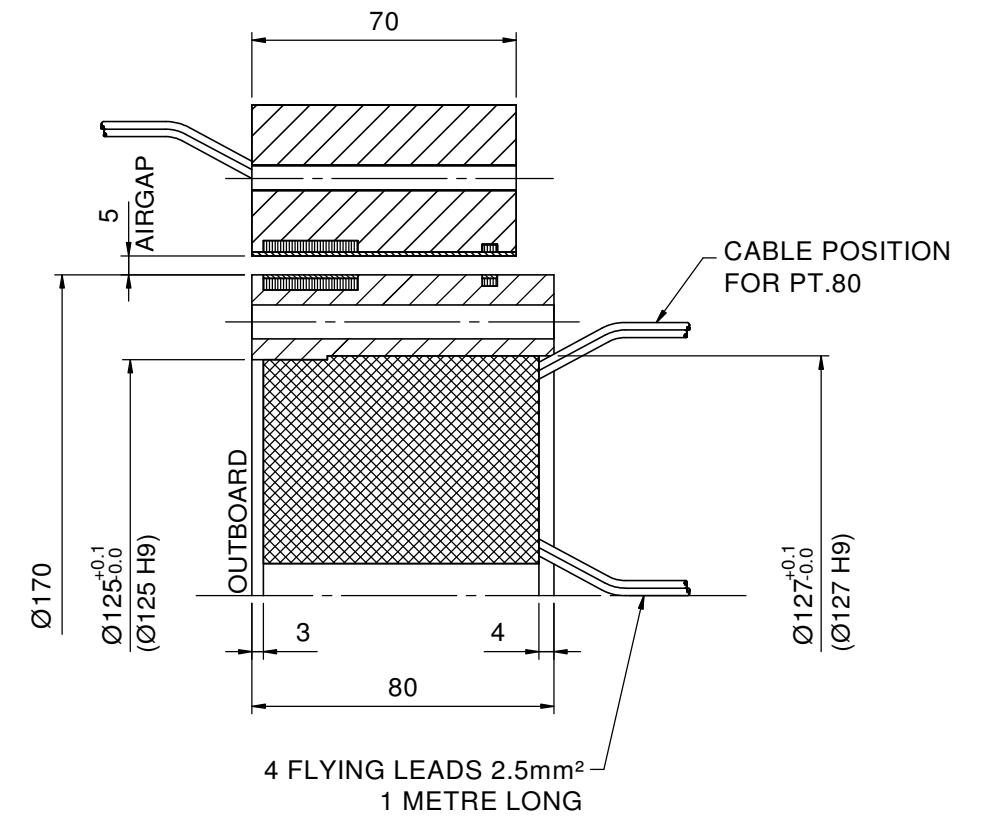


ROTOR MASS 2.8kg
STATOR MASS 3.3kg



SECTION A-A